

1 There are 10 millimetres (mm) in 1 centimetre (cm).  
Use the bar models to complete the sentences.

1 cm
10 mm

a)

1 cm	1 cm	1 cm

There are  mm in 3 cm.

b)

1 cm	1 cm	1 cm	1 cm	1 cm	1 cm	1 cm

There are  mm in 7 cm.

c)

10 mm	10 mm	10 mm	10 mm

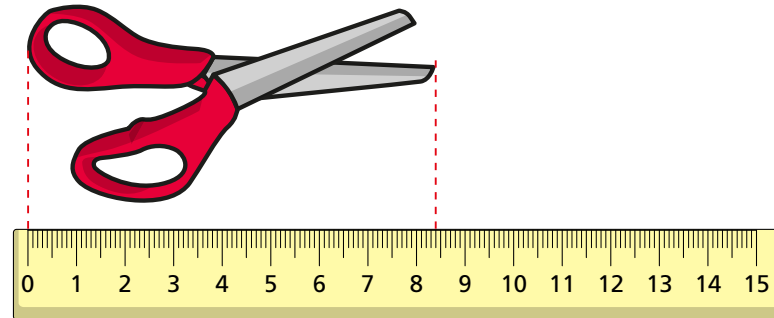
There are 40 mm in  cm.

2 Match the equivalent lengths.

1 cm 3 mm	3 cm 1 mm	30 mm	33 mm	30 cm
-----------	-----------	-------	-------	-------

300 mm	13 mm	31 mm	3 cm 0 mm	3 cm 3 mm
--------	-------	-------	-----------	-----------

3 How long are the scissors?



The scissors are  cm and  mm long.

The scissors are  mm long.

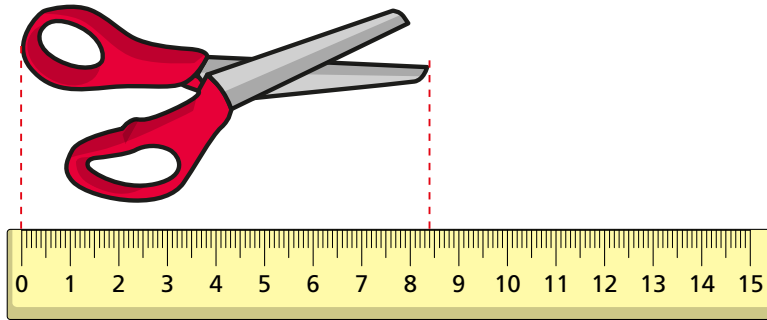
4 Find three items in your classroom.  
Measure them and complete the table.

One has been done for you.

Item	Length in cm and mm	Length in mm
toy car	9 cm 6 mm	96 mm



3 How long are the scissors?



The scissors are  cm and  mm long.

The scissors are  mm long.

4 Find three items in your classroom.

Measure them and complete the table.

One has been done for you.

Item	Length in cm and mm	Length in mm
toy car	9 cm 6 mm	96 mm

5 Filip and Kim are building towers using cubes. Each cube is 3 cm high.

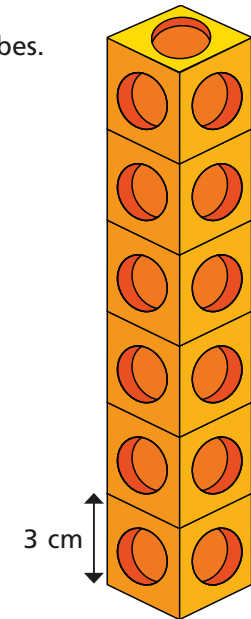
a) Filip uses 6 cubes.

How tall is Filip's tower?

Give your answer in millimetres.

b) Kim's tower is 300 mm tall.

How many cubes does she use?



6 Complete the bar models.

